

MC-1600-12 19" Rack-mount 12-slot Standalone Media Converter Chassis

Introduction:

The MC-1600-12 is TEC Optix innovative solution for the provision of multiple media conversion applications in a dual power supply rack-mount system. This highly engineered chassis offers the accommodation of up to 12-slot media converters in a single unit.



Main Features:

- ◆ High quality 19" rack-mount chassis
- ◆ Supports up to 12 media converters which can also be used as standalone
- ◆ Supports two load sharing, hot swappable power supplies
- ◆ Three high volume cooling fans ensure perfect operating environment
- ◆ LED status panel with fan and slot power LEDs
- ◆ Supports slot power isolation - ensures that power in each slot is isolated from the next
- ◆ Supports 10/100/1000Base, copper, fiber, single/multi-mode, ST, SC, LC connector
- ◆ Prevents network downtime and protects your converter investments
- ◆ Ideal for mission critical networks such as Enterprises,
- ◆ Banks, the Military, etc.



Specifications:

Chassis Specs

Capacity: Twelve (12) slots
 Chassis: Aluminum/Steel
 Power: Two (2) power supplies, load sharing, hot swappable
 LEDs: 3, red - for fan status,
 12, green - for bay power status,
 1, red - for each power supply
 Cooling: Three 42.5 cfm rear-mounted fans
 Dimensions: 430 x 290 x 133mm (LxWxH) (EIA 3U)
 Weight: 9 kg (with 12 converters, one power supply)

Power Supply Specs for AC (MPS-75R)

AC Input: 90~260V AC @ 47~63Hz
 DC Output: Norm. +12V, Min. +11.88V, Max +12.12V
 Load: Min. 0A, Full 6.4A
 Total Reg: +/- 1.0%, Rip. 120mV, Load 1.0%, Line 0.5%
 Overload Protection: All outputs protected against short circuit conditions, automatic recovery
 Over Volts Protection: Output level exceeding +13.2V causes shutdown - automatic recovery
 Temperature: Operation: 0 to 50
 Storage: -55 to 85
 EMI: FCC Part 15 Class B
 Safety: UL 1950, CSA 234, 22.2, TUV En60950
 Storage: -55 to 85

Power Supply Specs for DC -48V (MPS-75D)

DC Input: -48V±10%
 DC Output: Norm. +12V, Min. +11.76V
 Max +12.24V, 75Watts
 Load: Min. 0A, Full 6.4A
 Total Reg: +/- 2.0%, Rip. 120mV, Load 2.0%, Line 1.0%
 Overload Protection: Output protected against short circuit conditions, automatic recovery
 Over Volts Protection: Output level exceeding + 13.2V causes shutdown automatic recovery
 Temperature: Operation: 0 to 50

Fans Specs

Speed: 2510 rpm +/- 250, Delivery 42.5 ft3 Per Min.
 Noise Level: 36.5 dB(A)
 Temperature: Operation: -10 to 50
 Storage: -40 to 70
 Bearing: Precise ball bearing
 Safety: UL/cUL/TUV approved

MC-1600-12 19" Rack-mount 12-slot Standalone Media Converter Chassis

Applications:

The MC-1600-12 can accommodate a wide variety of our existing and future media converters - please contact us for details regarding these products.

MC-1600-12:

19" Rack Mount 12-slot Standalone Media Converter Chassis with one power supply

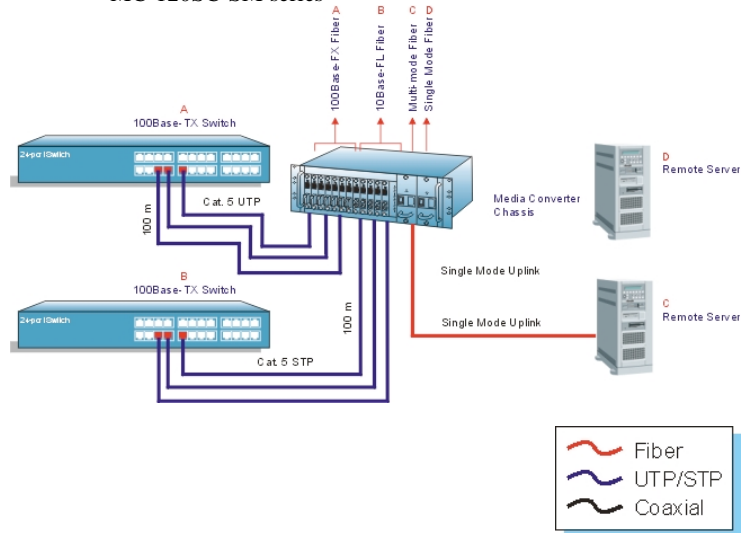
MPS-75R:

75W Modular Power Supply with High MTBF

MPS-75D:

75W DC-48V Modular Power Supply

- A - A Provides 10/100Base-TX to 100Base-FX Conversion via MC-100ST-MM
- B - B Provides 10/100Base-T to 100Base-FX Conversion via MC-100SC-MM
- C - C Provides 10/100Base-T to 100FX Multi-mode Conversion via MC-100ST-MM
- D - D Provides 100Base-FX Single Mode Conversion via MC-120SC-SM series



RoHS compliant

TEC Optix Solutions
Division of Lynn Electronics Corp.
154 Railroad Drive • Ivyland, PA. 18974
800-523-6075 • fax 215-364-2944
email: sales@lynnelec.com

**MC-1600-12 19" Rack-mount 12-slot
Standalone Media Converter Chassis**
